

Contact: Ino
Tel: +86-531-88786251
Mob: +86-15665787330
Email: sales020@bogongcnc.com
Website: www.bogongcnc.com
Add: Industrial North Road, Jinan city, China



JINAN BOGONG MACHINERY CO.,LTD

MINI Handheld LASER ENGRAVER

BGF20 mini handheld type



Contact: Ino
Tel: +86-531-88786251
Mob: +86-15665787330
Email: sales020@bogongcnc.com
Website: www.bogongcnc.com
Add: Industrial North Road, Jinan city, China



JINAN BOGONG MACHINERY CO.,LTD

| | | |
|--------------------------------|------------------------------|-----------------------------|
| Galvo parameters | Maximum speed | 7000mm/s |
| | resolution | 0.001mm |
| | Repositioning precision | 0.003mm |
| Optical output characteristics | Marking range | 60*60 mm /100*100mm |
| | Minimum line width | 0.01mm |
| | Minimum height of characters | 0.2mm |
| Cooling system | Cooling way | Air cooling |
| System properties | Laser power supply | 0.5KW/AC220V/60Hz |
| | Environmental requirements | 0 ~ 35 ° C, 90% or humidity |

◆ Machine feature

Machine style: Small all-in-one type

Long Lifetime: can reach 50,000 hours.

Compact: The high-tech product, which is combined of laser device, computer, auto controller and precision machinery.

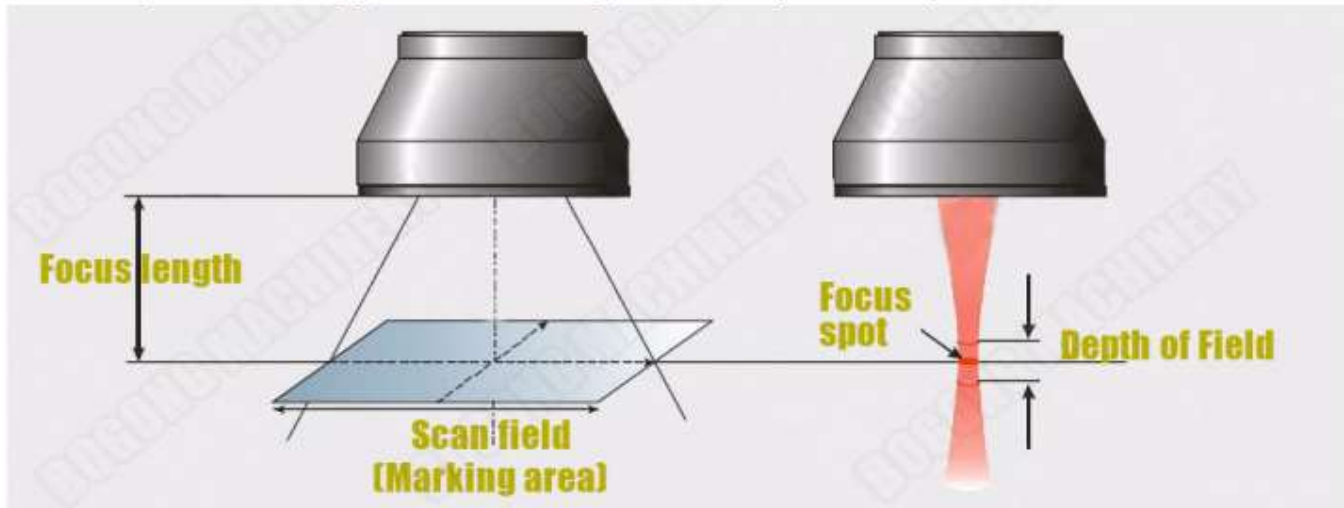
High Precision: Re-position precision is 0.003mm

High Speed: Imported scanning system makes the scanning speed is up to 7000mm/s

Easily Operating: Afford the specific marking software based on Windows, which is real-time adjust the laser power and pulse frequency. You can input and output by computer according to edit in the both of the specific marking software and the graphic software such as AutoCAD, CorelDRAW or Photoshop.

Energy Saving: The efficiency of optic-electrical converting is up to 70%

Low Running Cost: No wearing part. Free maintaining, no need to adjust the laser path.



◆ About Detail of laser machine

Contact: Ino
Tel: +86-531-88786251
Mob: +86-15665787330
Email: sales020@bogongcnc.com
Website: www.bogongcnc.com
Add: Industrial North Road, Jinan city, China



JINAN BOGONG MACHINERY CO.,LTD



便携式手持光纤激光打标机



◆ **Applicable to material and fields:**

- Many type of metals: Gold, Silver, Stainless Steel, Copper, Aluminum, chrome Brass, etc
- Alloy and metal oxides: Anodized Aluminum
- Some non-metallic materials & Special surface treatment: silicon wafer, ceramics, plastic, rubber, epoxy resin, ABS, Printing ink, Plating, Spraying, Coating film

◆ **Applicant Industry**

- Electrical Engineering and Electrical part and component
- Mobile (Cover, battery, keyboard, I Phone Case)

Contact: Ino
Tel: +86-531-88786251
Mob: +86-15665787330
Email: sales020@bogongcnc.com
Website: www.bogongcnc.com
Add: Industrial North Road, Jinan city, China



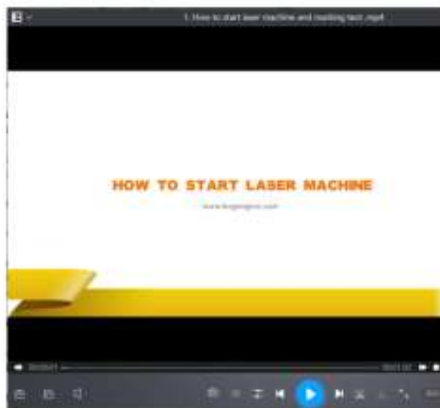
JINAN BOGONG MACHINERY CO.,LTD

- Jeweler (Ring, pedant, bracelet), eyeglass, clocks and craft
- Building materials, PVC pipe
- Car motor car spare part
- Instrument and meters and cutting tool
- plastic case
- hardware fitting and accessory
- sanitary appliance

◆ Spare parts and documents

| No. | Material name | quantity | remarks |
|-----|--|----------|--|
| 1 | User's manual for machine and for software | 2 Copies | Contain equipment operation, installation and maintenance of the content |
| 2 | Protective glasses | 1Pair | Protective your eye when u operate the laser machine |

◆ Video of Operation



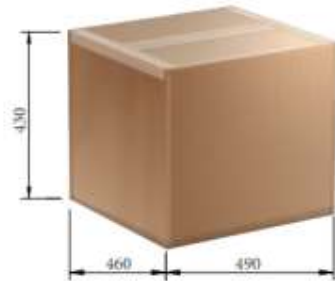
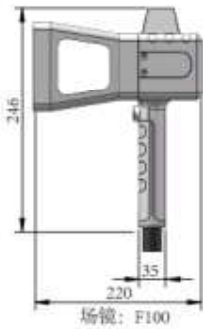
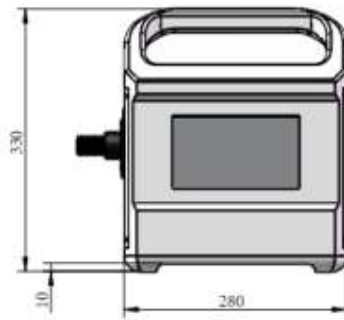
Note: We have video to teach customer how to start laser marking machine and marking.

Contact: Ino
Tel: +86-531-88786251
Mob: +86-15665787330
Email: sales020@bogongcnc.com
Website: www.bogongcnc.com
Add: Industrial North Road, Jinan city, China



JINAN BOGONG MACHINERY CO.,LTD

◆ Machine package



外包装尺寸: 490*460*430mm 包装后总重量约10kg

Package: 490*460*430mm
 Weight: 10KG

◆ Transport

You can choose by DHL/TNT express, Air shipping, Sea.etc



By express company



By Air



By Sea

Contact: Ino
Tel: +86-531-88786251
Mob: +86-15665787330
Email: sales020@bogongcnc.com
Website: www.bogongcnc.com
Add: Industrial North Road, Jinan city, China



JINAN BOGONG MACHINERY CO.,LTD

Customer feedback



Sherry,

The machine has arrived and it is now set up. It looks great!

Do you happen to have sample templates for grips or other projects?

Thank you so much for your help!!

Regards,

Brian
Chucktown LLC
803-9313



Hello Sherry,

We just got the laser in one hour ago! I have assembled it and did the first tests!!!!
Everything working nicely!!!! Obviously I will need a lot of hours to understand the different settings for different materials, but just with your templates I could do some markings on stainless steel, aluminum and plastic...I will have to read/view a lot of tutorials...

Contact: Ino
 Tel: +86-531-88786251
 Mob: +86-15665787330
 Email: sales020@bogongcnc.com
 Website: www.bogongcnc.com
 Add: Industrial North Road, Jinan city, China



JINAN BOGONG MACHINERY CO.,LTD

My Alibaba

My Account Notifications English

Pending reviews (0) **Reviewed (13)**

Order of Email Account Search Sort By Time Created

Order No.: 1720W13181024099

Time Created: 2020-12-07 19:00

Supplier Service: **Very Satisfied** (3 used) On-time Shipment: **Very Satisfied** (3 used)



BGF50W mini fiber laser marking machine with...

★★★★★

yes I love these people they gave me great service, great communication, they offer good help, and any time I need them they are available, I recommend them, you can depend on them, great prices too, thanks guys, I am very satisfied

Reply

RE: [No.32] Machine operation

2020-11-20 14:03:34

已回复

10.22 美国铝深雕 Kevin <kevin@aluminum.com> 发给 Sherry <sales@bogongcnc.com>

详细信息

10.22 美国铝深雕 Kevin <kevin@aluminum.com> 美国 当地实时时间: 2020-12-13 19:18:39 (西八区) 时间不

对?

英文 中文 翻译邮件

The machine is up and running. I'm very pleased. Thank you so much for the great service.

Kevin

Certification and test report

